



**Refrigerated Showcase**  
*Model RS-CN-0100-E*  
*Item 27155*  
**Instruction Manual**



*Revised - 05/02/2023*



Toll Free: 1-800-465-0234  
Fax: 905-607-0234  
Email: [service@omcan.com](mailto:service@omcan.com)  
[www.omcan.com](http://www.omcan.com)



# ***Table of Contents***

Model RS-CN-0100-E

---

<b>Section</b>	<b>Page</b>
Disclaimer -----	3
General Information -----	4 - 5
Safety and Warranty -----	5 - 7
Technical Specifications -----	7
Operation -----	8 - 9
Maintenance -----	9
Troubleshooting -----	9 - 10
Parts Breakdown -----	11 - 13
Electrical Schematics -----	14
Warranty Registration -----	15

## ***Disclaimer***

---

***OMCAN IS NOT RESPONSIBLE FOR ANY DAMAGES DUE TO WATER LEAKS. WARRANTY FOR WATER LEAKS IS VOID IF THE AMBIENT ROOM TEMPERATURE EXCEEDS 75°F AND 55% RELATIVE HUMIDITY, AND THE APPLIANCE DRAIN IS NOT CONNECTED DIRECTLY TO A FLOOR DRAIN.***

---

***OMCAN N'EST PAS RESPONSABLE DES DOMMAGES DUS AUX FUITES D'EAU. LA GARANTIE POUR LES FUITES D'EAU EST ANNULÉE SI LA TEMPÉRATURE AMBIANTE DE LA PIÈCE DÉPASSE 75°F ET 55% D'HUMIDITÉ RELATIVE, ET SI LE DRAIN DE L'APPAREIL N'EST PAS RACCORDÉ DIRECTEMENT À UN DRAIN DE PLANCHER.***

---

***OMCAN NO SE HACE RESPONSABLE DE LOS DAÑOS CAUSADOS POR FUGAS DE AGUA. LA GARANTÍA POR FUGAS DE AGUA QUEDA ANULADA SI LA TEMPERATURA AMBIENTE SUPERA LOS 75°F Y EL 55% DE HUMEDAD RELATIVA, Y EL DESAGÜE DEL APARATO NO ESTÁ CONECTADO DIRECTAMENTE A UN DESAGÜE DE PISO.***

# **General Information**

---

**Omcan Manufacturing and Distributing Company Inc., Food Machinery of America, Inc. dba Omcan and Omcan Inc. are not responsible for any harm or injury caused due to any person's improper or negligent use of this equipment. The product shall only be operated by someone over the age of 18, of sound mind, and not under the influence of any drugs or alcohol, who has been trained in the correct operation of this machine, and is wearing authorized, proper safety clothing. Any modification to the machine voids any warranty, and may cause harm to individuals using the machine or in the vicinity of the machine while in operation.**

## **CHECK PACKAGE UPON ARRIVAL**

Upon receipt of an Omcan shipment please inspect for external damage. If no damage is evident on the external packaging, open carton to ensure all ordered items are within the box, and there is no concealed damage to the machine. If the package has suffered rough handling, bumps or damage (visible or concealed), please note it on the bill of lading before accepting the delivery and contact Omcan within 24 hours, so we may initiate a claim with the carrier. A detailed report on the extent of the damage caused to the machine must be filled out within three days, from the delivery date shown in the shipping documents. Omcan has no recourse for damaged products that were shipped collect or third party.

**Before operating any equipment, always read and familiarize yourself with all operation and safety instructions.**

**Omcan would like to thank you for purchasing this machine. It's of the utmost importance to save these instructions for future reference. Also save the original box and packaging for shipping the equipment if servicing or returning of the machine is required.**

---

**Omcan Fabrication et distribution Compagnie Limitée et Food Machinery d'Amérique, dba Omcan et Omcan Inc. ne sont pas responsables de tout dommage ou blessure causé du fait que toute personne ait utilisé cet équipement de façon irrégulière. Le produit ne doit être exploité que par quelqu'un de plus de 18 ans, sain d'esprit, et pas sous l'influence d'une drogue ou d'alcool, qui a été formé pour utiliser cette machine correctement, et est vêtu de vêtements de sécurité appropriés. Toute modification de la machine annule toute garantie, et peut causer un préjudice à des personnes utilisant la machine ou des personnes à proximité de la machine pendant son fonctionnement.**

## **VÉRIFIEZ LE COLIS DÈS RÉCEPTION**

Dès réception d'une expédition d'Omcan veuillez inspecter pour dommages externes. Si aucun dommage n'est visible sur l'emballage externe, ouvrez le carton afin de s'assurer que tous les éléments commandés sont dans la boîte, et il n'y a aucun dommage dissimulé à la machine. Si le colis n'a subi aucune mauvaises manipulations, de bosses ou de dommages (visible ou cachée), notez-le sur le bond de livraison avant d'accepter la livraison et contactez Omcan dans les 24 heures qui suivent, pour que nous puissions engager une réclamation auprès du transporteur. Un rapport détaillé sur l'étendue des dommages causés à la machine doit être rempli dans un délai de trois jours, à compter de la date de livraison indiquée dans les documents d'expédition. Omcan n'a aucun droit de recours pour les produits endommagés qui ont été expédiés ou cueilli par un tiers transporteur.



# General Information

---

Avant d'utiliser n'importe quel équipement, toujours lire et vous familiariser avec toutes les opérations et les consignes de sécurité.

Omcan voudrais vous remercier d'avoir choisi cette machine. Il est primordial de conserver ces instructions pour une référence ultérieure. Également conservez la boîte originale et l'emballage pour l'expédition de l'équipement si l'entretien ou le retour de la machine est nécessaire.

---

Omcan Empresa De Fabricacion Y Distribucion Inc. Y Maquinaria De Alimentos De America, Inc. dba Omcan y Omcan Inc. no son responsables de ningun daño o perjuicio causado por cualquier persona inadecuada o el uso descuidado de este equipo. El producto solo podra ser operado por una persona mayor de 18 años, en su sano juicio y no bajo alguna influencia de droga o alcohol, y que este ha sido entrenado en el correcto funcionamiento de esta máquina, y ésta usando ropa apropiada y autorizada. Cualquier modificación a la máquina anula la garantía y puede causar daños a las personas usando la máquina mientras esta en el funcionamiento.

## REVISE EL PAQUETE A SU LLEGADA

Tras la recepcion de un envio Omcan favor inspeccionar daños externos. Si no hay daños evidentes en el empaque exterior, Habra el carton para asegurarse que todos los articulos solicitados estén dentro de la caja y no encuentre daños ocultos en la máquina. Si el paquete ha sufrido un manejo de poco cuidado, golpes o daños (visible o oculto) por favor anote en la factura antes de aceptar la entrega y contacte Omcan dentro de las 24 horas, de modo que podamos iniciar una reclamación con la compañía. Un informe detallado sobre los daños causados a la máquina debe ser llenado en el plazo de tres días, desde la fecha de entrega que se muestra en los documentos de envío. Omcan no tiene ningun recurso por productos dañados que se enviaron a recoger por terceros.

Antes de utilizar cualquier equipo, siempre lea y familiarizarse con todas las instrucciones de funcionamiento y seguridad.

Omcan le gustaría darle las gracias por la compra de esta máquina. Es de la mayor importancia para salvar estas instrucciones para futuras consultas. Además, guarda la caja original y el embalaje para el envío del equipo si servicio técnico o devolución de la máquina que se requiere.

# Safety and Warranty

---

<b>Handle with care</b>	<b>Dry place</b>
Unplug the wall socket first. Never tilt it over 45 degrees when handling.	Always locate the refrigerator in a dry location.

# Safety and Warranty

<p><b>Sufficient space</b> The distance from both sides and back of refrigerator to wall or other substance must be no less than 10 cm. The refrigeration capability may decrease if its surrounding space is too small to circulate air.</p>	<p><b>Well ventilated</b> Always locate the refrigerator in an area with good ventilation. When using for the first time, wait for 24 hours after handling to start.</p>
<p><b>Far from heat source</b> Never place the refrigerator in direct sunlight. Never locate it near any heat source to prevent reducing refrigeration capability.</p>	<p><b>Heavy load</b> Never put any heavy objects on top of the refrigerator.</p>
<p><b>Do not make holes</b> Never make any holes on the refrigerator. Do not attach any objects onto the refrigerator.</p>	<p><b>Stable Location</b> Unpack and place the refrigerator on level and stable ground.</p>
<p><b>Exclusive power socket</b> Normally, the power supply should be 110 - 120V, 60 Hz single phase AC with exclusive single phase receptacle.</p>	<p><b>Do not share the socket</b> Never let the refrigerator share a socket with another appliance. The cable may become hot and this may cause a fire.</p> <p><b>DO NOT USE EXTENSION CORDS.</b></p>
<p><b>Protect cables</b> Never break or damage the cables as this may cause current leakage resulting in a fire.</p>	<p><b>No water flushing</b> Never spray down refrigerator with pressurized water supply.</p>
<p><b>Avoid flammable and explosive objects</b> Never put any flammable or explosive items inside the refrigerator such as gasoline or alcohol. Never put any dangerous product nearby the refrigerator.</p>	<p><b>No spray</b> Do not spray the unit with a flammable substance such as paint. This may result in a fire.</p>
<p><b>After power break</b> After power break or unplugging the refrigerator, always wait at least 5 minutes before starting the refrigerator again.</p>	<p><b>Medical Storage</b> No medicine is allowed to be kept inside the refrigerator.</p>

## NOTE

- The electric circuit diagram and parameters on the product name plate are subject to change without the manufacturer having to change the manual.
- The design might be improved without notice.
- If the power cord is damaged, it must be replaced by the manufacturer, its service agent or a qualified electrician in order to avoid injury.

**RESIDENTIAL USERS: Vendor assumes no liability for parts or labor coverage for component failure or other damages resulting from installation in non-commercial or residential applications. The right is reserved to deny shipment for residential usage; if this occurs, you will be notified as soon as possible.**



# Safety and Warranty

**WARNING:** The unit uses R290a refrigerant. Make sure that all precautions against fire have been taken.

## 1 YEAR PARTS AND LABOUR WARRANTY

Within the warranty period, contact Omcan Inc. at 1-800-465-0234 to schedule an Omcan authorized service technician to repair the equipment locally.

Unauthorized maintenance will void the warranty. Warranty covers electrical and part failures, not improper use.

Please see <https://omcan.com/disclaimer> for complete info.

### WARNING:

The packaging components are classified as normal solid urban waste and can therefore be disposed of without difficulty.

In any case, for suitable recycling, we suggest disposing of the products separately (differentiated waste) according to the current norms.

**DO NOT DISCARD ANY PACKAGING MATERIALS IN THE ENVIRONMENT!**

# Technical Specifications

<b>Model</b>	<b>RS-CN-0100-E</b>
<b>Capacity</b>	100 L / 3.5 cu. ft.
<b>Rack Size</b>	12.3" x 24" / 311 x 610mm
<b>Temperature Range</b>	0 - 12°C / 32 - 53.5°F
<b>Max Ambient Temp Rating</b>	24°C / 75°F
<b>Power Input</b>	170W
<b>Refrigerant</b>	R290
<b>Electrical</b>	110-120V / 60Hz / 1
<b>Dimensions</b>	26.9" x 17.7" x 26.6" / 682 x 450 x 675mm
<b>Packaging Dimensions</b>	21" x 30" x 31" / 533 x 762 x 787mm
<b>Weight</b>	86.2 lbs. / 39.1 kgs.
<b>Packaging Weight</b>	94 lbs. / 43 kgs.
<b>Item Number</b>	27155

# Operation

---

## BEFORE USE

Ensure the unit is upright and positioned in its location for 12 hours prior to use.

Plug the refrigerator in a 110-120V~ socket exclusively for the unit. After the refrigerator running, test the air suction to confirm it is sufficiently cold. Then you may put food inside the unit. Make sure the food product is already cooled before placing it in the display case. The unit should not be used to cool food products.



## DIGITAL TEMPERATURE CONTROLLER

Features of the Function:


- The digital temperature controller is easy to operate and controls the compressor.
- The main functions are: Temperature display, manual control, automatic defrost, light control, value storing, self-testing and parameter locking.

Front Panel Operation:


### 1. Set Temperature

- Press the “SET” button, the set temperature is displayed.
- Press the  or  button to modify and store the displayed value.
- Press the “SET” button to exit the adjustment and display the cold-room temperature.
- If no more buttons are pressed, the temperature will be displayed.

### 2. Illumination

- Press the  button to activate the light in the machine. Press it again to deactivate.

### 3. Manual Start/Stop Defrost:

- Press the  button and hold for 6 seconds to defrost or to stop the defrost.

### 4. Refrigerant LED:

- During refrigeration, the LED is on. When the cold room temperature is constant, the LED is off. During the delay start, the LED flashes.

### 5. Defrost LED:

- During defrosting, the LED is on. When it stops defrosting, the LED is off. During the delay display of defrost, the LED flashes.

## CAUTION

- Shorten the time that the door is open and reduce the frequency of opening to keep the temperature inside constant. Never block the air suction or outlet. Do not block air circulation so that the desired temperature is achieved.



# Operation

---

- Adjust the rack height for proper food storage.
- Cool hot food before placing into the unit.
- Try to reduce the number of times the power is cut off from the machine.
- Only qualified technicians are allowed to repair the unit.
- Only qualified electricians can repair the power cable if damaged.
- Never touch the compressor.
- This appliance is not intended for use by persons (including children) with reduced physical, sensory or mental capabilities, or lack of experience and knowledge, unless they have been given supervision or instruction concerning the use of the appliance by a person responsible for their safety.
- Children should be supervised to ensure that they do not play with the appliance.

# Maintenance

---

- Only periodical maintenance is necessary.
- Keep the refrigerator clean.
- Always turn off the unit and unplug it from the socket before maintenance, cleaning or servicing.
- Never flush the refrigerator. Never use alkali detergent, soap, gasoline, acetone or brushes to clean the unit.
- Clean the outside of the machine with a soft cloth dipped in neutral detergent (table ware detergent) and dry with a soft cloth.
- Clean the inside of the unit by removing the racks and cleaning with water. Use a soft cloth to wipe the box.
- Do not clean the unit by means of pressurized jets.
- When shutting the unit off for long periods of time:
  1. Take out all food, turn the machine off and unplug it from the socket.
  2. Clean both the inside and outside of the refrigerator thoroughly and open the door. Make sure the unit dries completely.
  3. Keep the glass away from children.
  4. Clean the condensation tray and wipe it dry.

# Troubleshooting

---

Trouble	Cause and Remedy
No refrigeration	Is the plug in the socket well?
	Is the fuse broken?
	Is there no power?

# Troubleshooting

---

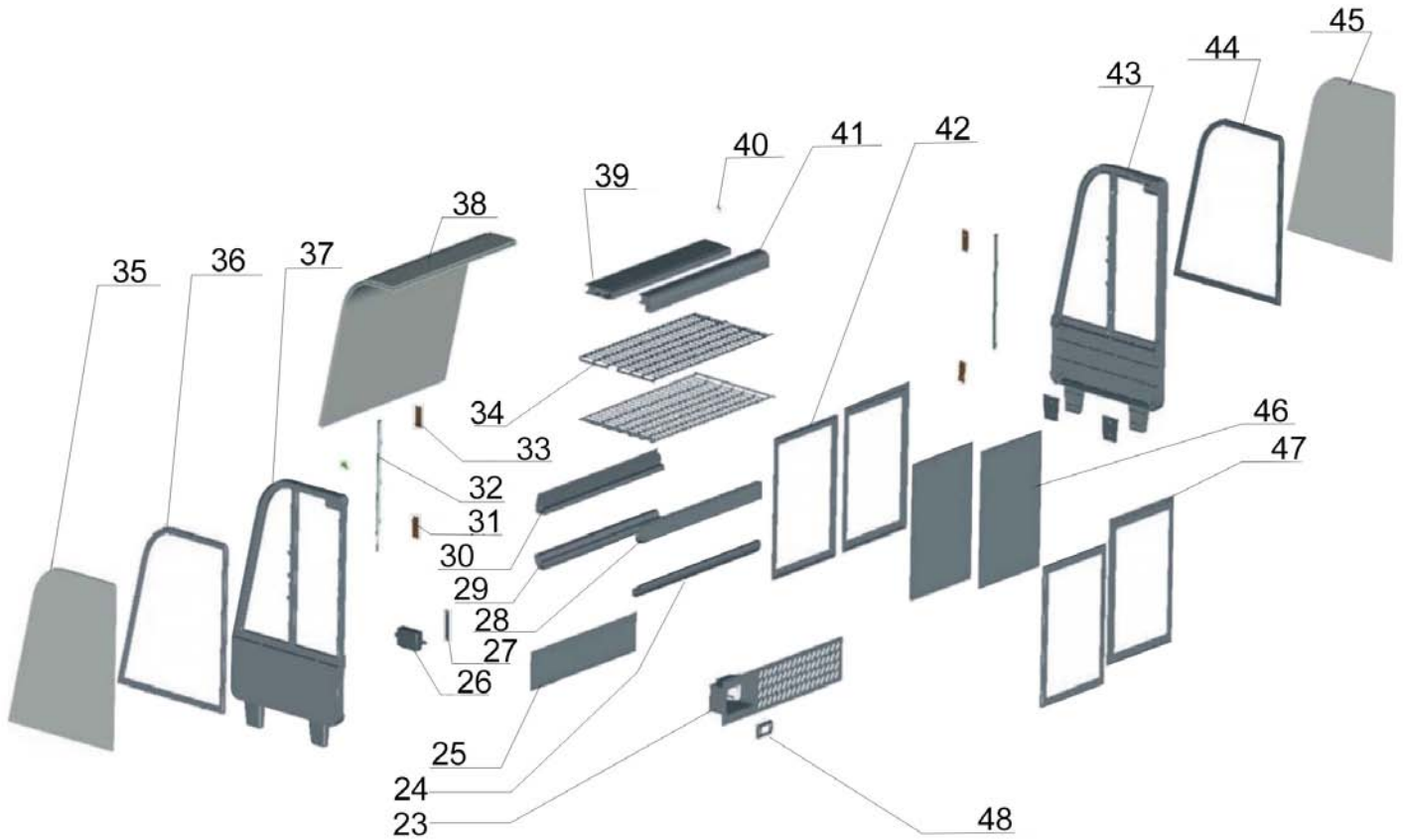
Unsatisfactory refrigeration	Is it under the sunlight? Is there any heat source nearby?
	Does the door close well? Has the door been open for a long time?
	Is the door seal strip deformed or damaged?
	Is food congested or too much?
	Does food block the air suction outlet?
	Regulate the temperature controller.
Too much noise	The refrigerator is not level.
	The refrigerator touches the wall or other objects.
	There is a loose part in the refrigerator.
Contact Omcan at 1-800-465-0234 for help if simple troubleshooting does not solve the problems.	

The following situations are not problems:

1. The murmur of water is heard when the refrigerator is working. This is normal as the coolant is circulating in the system.
2. During wet season, condensation may be found on the outside of the refrigerator. This is not a problem, this is caused by high humidity. Simply use a cloth to wipe it.

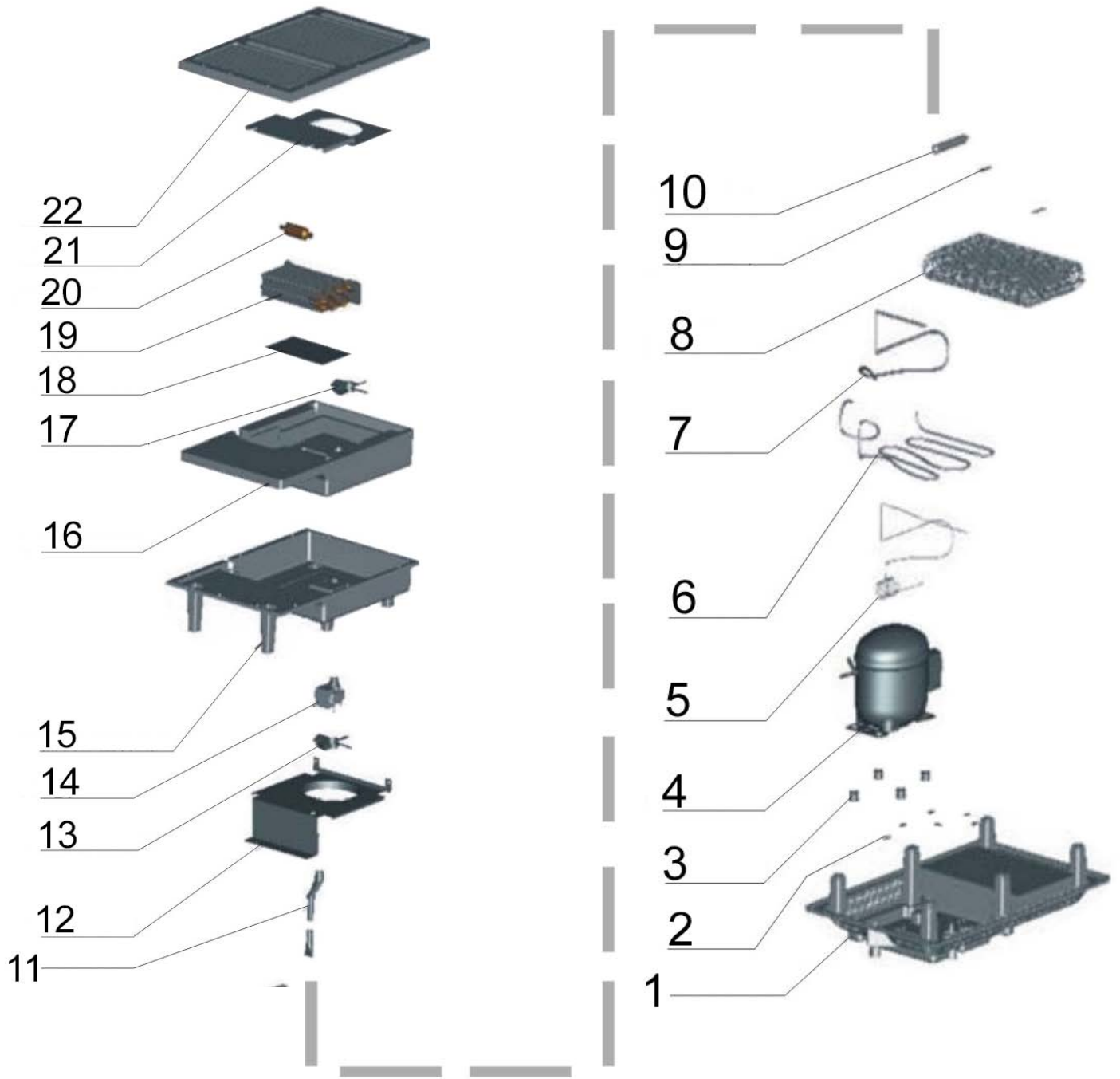
# Parts Breakdown

Model RS-CN-0100-E 27155



# Parts Breakdown

Model RS-CN-0100-E 27155



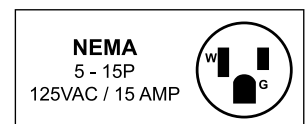
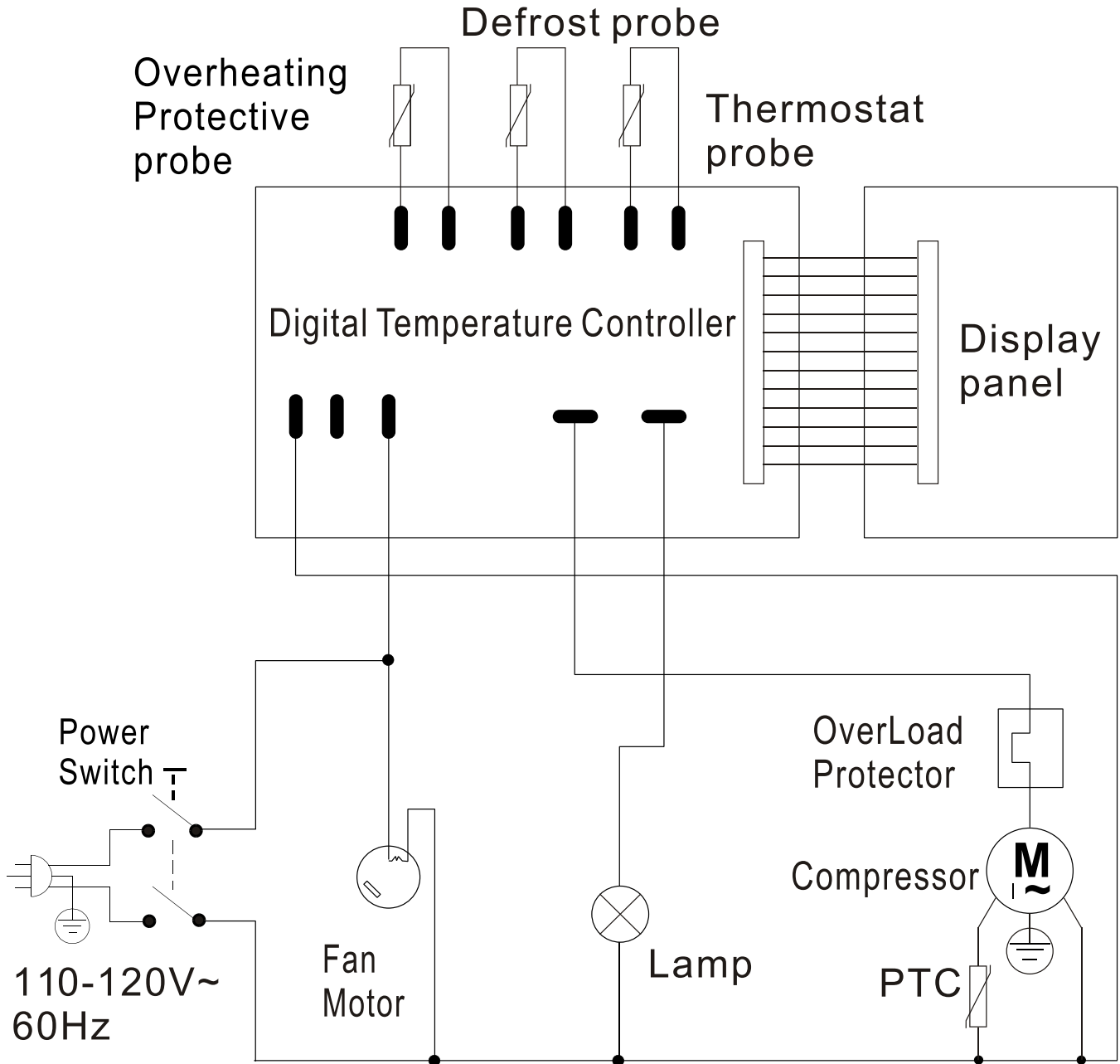
# Parts Breakdown

## Model RS-CN-0100-E 27155

Item No.	Description	Position	Item No.	Description	Position	Item No.	Description	Position
30685	Bottom Base for Compressor for 27155	1	30701	Fan Blade of Evaporator for 27155	17	30717	Upper Fixer of LED Light for 27155	33
30686	Plastic Board of Wire for 27155	2	30702	Bottom Plate of Evaporator for 27155	18	30718	Shelves for 27155	34
30687	Motor Collar for 27155	3	30703	Evaporator for 27155	19	30719	Left Side Glass for 27155	35
30688	Compressor for 27155	4	30704	Accumulator for 27155	20	30720	Left Rubber Ring for 27155	36
30689	Capillary for 27155	5	30705	Protection Panel of Evaporator for 27155	21	30721	Left Panel for 27155	37
30690	Deputy Condenser for 27155	6	30706	Bottom Panel for Air Suction and Air Outlet for 27155	22	30722	Front Curved Glass for 27155	38
30691	Light Tube for 27155	7	30707	Rear Panel of Base for 27155	23	30723	Upper Panel for 27155	39
30692	Condenser for 27155	8	30708	Rear Bottom Crossband for 27155	24	30725	Rear Upper Crossband for 27155	41
30693	Fixer of Condenser for 27155	9	30709	Front Panel of Base for 27155	25	30726	Glass Frame for 27155	42
30694	Dry Tube for 27155	10	30710	Power Switch for 27155	26	30727	Right Panel for 27155	43
30695	Bottom/Upper Water Tube for 27155	11	30711	Fixer of Power Switch for 27155	27	30728	Right Rubber Ring for 27155	44
30696	Protection Panel for Condenser for 27155	12	30712	Rear Middle Crossband for 27155	28	30729	Right Glass for 27155	45
30697	Fan Blade of Condenser for 27155	13	30713	Front Bottom Crossband for 27155	29	30730	Rear Glass for 27155	46
30698	Motor for 27155	14	30714	Front Middle Crossband for 27155	30	30731	Glass Frame for 27155	47
30699	Plastic Base of Evaporator for 27155	15	30715	Bottom Fixer of LED Light for 27155	31	30732	Panel for Digital Controller for 27155	48
30700	Foam of Evaporator for 27155	16	30716	LED Light for 27155	32	43655	Temperature Controller for 27155	

# Electrical Schematics

Model RS-CN-0100-E 27155





# Warranty Registration

Thank you for purchasing an Omcan product. To register your warranty for this product, complete the information below, tear off the card at the perforation and then send to the address specified below. You can also register online by visiting:

Merci d'avoir acheté un produit Omcan. Pour enregistrer votre garantie pour ce produit, complétez les informations ci-dessous, détachez la carte au niveau de la perforation, puis l'envoyer à l'adresse spécifiée ci-dessous. Vous pouvez également vous inscrire en ligne en visitant:

Gracias por comprar un producto Omcan usted. Para registrar su garantía para este producto, complete la información a continuación, cortar la tarjeta en la perforación y luego enviarlo a la dirección indicada a continuación. También puede registrarse en línea en:

<https://omcan.com/warranty-registration/>

For mailing in Canada

Pour postale au Canada

Por correo en Canadá

**OMCAN**

PRODUCT WARRANTY REGISTRATION

3115 Pepper Mill Court,

Mississauga, Ontario

Canada, L5L 4X5

For mailing in the US

Pour diffusion aux États-Unis

Por correo en los EE.UU.

**OMCAN**

PRODUCT WARRANTY REGISTRATION

4450 Witmer Industrial Estates, Unit 4,

Niagara Falls, New York

USA, 14305

*or email to: [service@omcan.com](mailto:service@omcan.com)*



Purchaser's Information

Name: \_\_\_\_\_

Address: \_\_\_\_\_

City: \_\_\_\_\_ Province or State: \_\_\_\_\_ Postal or Zip: \_\_\_\_\_

Country: \_\_\_\_\_

Dealer from which Purchased: \_\_\_\_\_

Dealer City: \_\_\_\_\_ Dealer Province or State: \_\_\_\_\_

Invoice: \_\_\_\_\_

Model Name: \_\_\_\_\_ Model Number: \_\_\_\_\_

Machine Description: \_\_\_\_\_

Date of Purchase (MM/DD/YYYY): \_\_\_\_\_

Would you like to extend the warranty?  Yes  No

Company Name: \_\_\_\_\_

Telephone: \_\_\_\_\_

Email Address: \_\_\_\_\_

Type of Company:

Restaurant  Bakery  Deli

Butcher  Supermarket  Caterer

Institution (specify): \_\_\_\_\_

Other (specify): \_\_\_\_\_

Serial Number: \_\_\_\_\_

Date of Installation (MM/DD/YYYY): \_\_\_\_\_

**Thank you for choosing Omcan | Merci d'avoir choisi Omcan | Gracias por elegir Omcan**



Since 1951 Omcan has grown to become a leading distributor of equipment and supplies to the North American food service industry. Our success over these many years can be attributed to our commitment to strengthen and develop new and existing relationships with our valued customers and manufacturers. Today with partners in North America, Europe, Asia and South America, we continually work to improve and grow the company. We strive to offer customers exceptional value through our qualified local sales and service representatives who provide convenient access to over 6,500 globally sourced products.

---

Depuis 1951 Omcan a grandi pour devenir un des “leaders” de la distribution des équipements et matériel pour l’industrie des services alimentaires en Amérique du Nord. Notre succès au cours de ces nombreuses années peut être attribué à notre engagement à renforcer et à développer de nouvelles et existantes relations avec nos clients et les fabricants de valeur. Aujourd’hui avec des partenaires en Amérique du Nord, Europe, Asie et Amérique du Sud, nous travaillons continuellement à améliorer et développer l’entreprise. Nous nous efforçons d’offrir à nos clients une valeur exceptionnelle grâce à nos ventes locales qualifiées et des représentants de service qui offrent un accès facile à plus de 6500 produits provenant du monde entier.

---

Desde 1951 Omcan ha crecido hasta convertirse en un líder en la distribución de equipos y suministros de alimentos en América del Norte industria de servicios. Nuestro éxito en estos años se puede atribuir a nuestro compromiso de fortalecer y desarrollar nuevas relaciones existentes con nuestros valiosos clientes y fabricantes. Hoy con socios de América del Norte, Europa, Asia y América del Sur, que trabajan continuamente para mejorar y crecer la empresa. Nos esforzamos por ofrecer a nuestros clientes valor excepcional a través de nuestro local de ventas y representantes de los servicios que proporcionan un fácil acceso a más de 6,500 productos con origen a nivel mundial.

